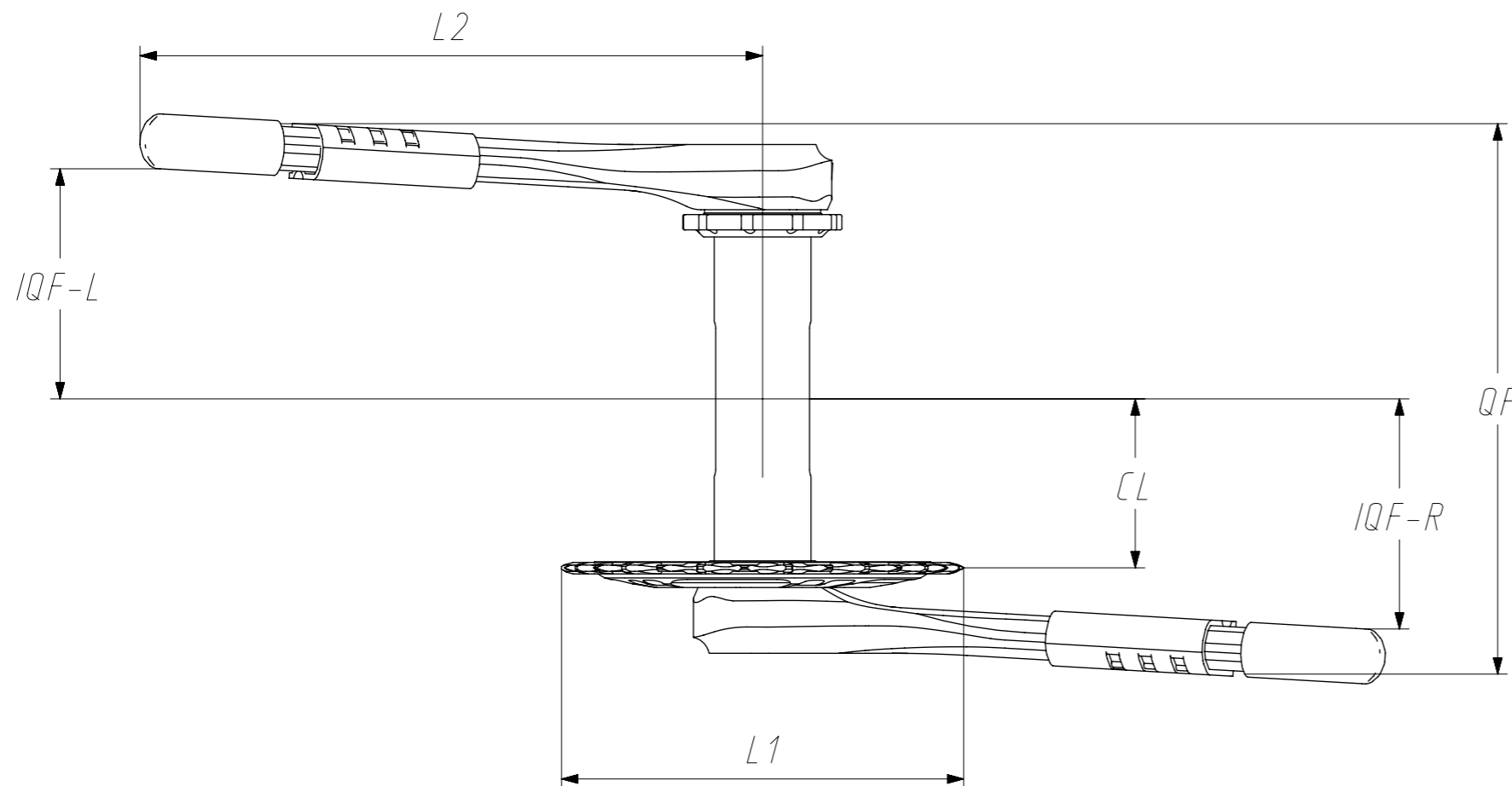
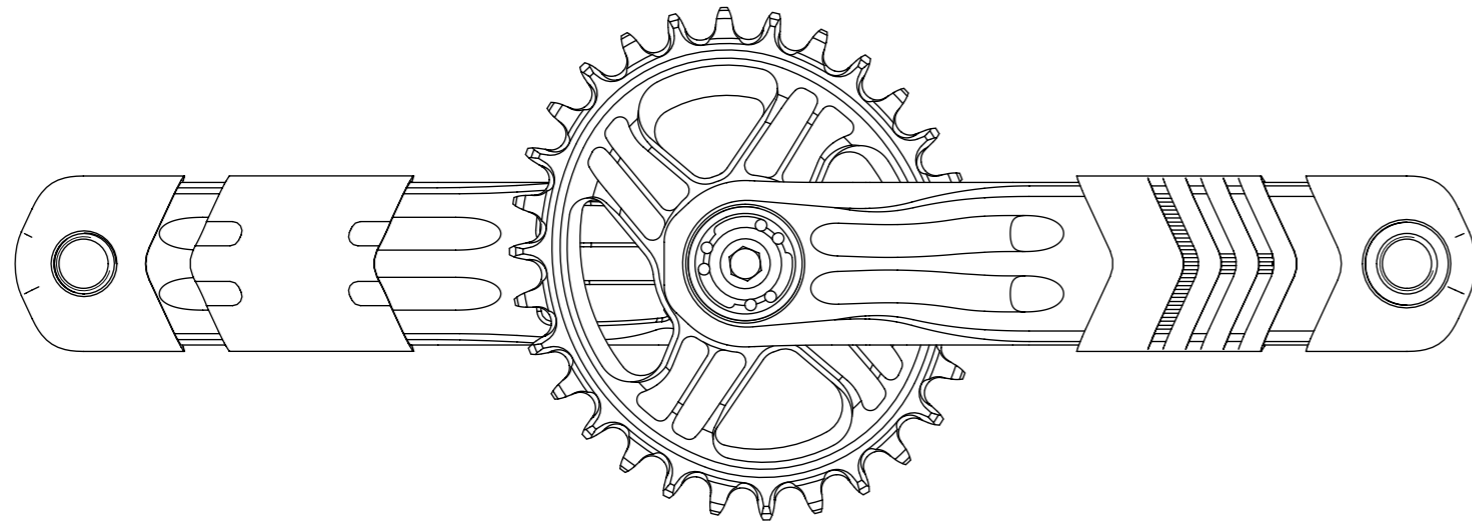




Crankset frame clearance information						
Chainring size	L1 (mm) chainring max. diameter	L2 (mm) crankset max. length (175)	IQF-L (mm) Inner Q-factor left	IQF-R (mm) Inner Q-factor right	QF (mm) Total Q-Factor	CL (mm) Chainline
Direct mount Q - 28	130,5	193	71,5	71,5	170	52,5
Direct mount Q - 30	138					
Direct mount Q - 32	146,5					
Direct mount Q - 34	154,5					
Direct mount Q - 36	163,5					



MODEL SPECIFICATIONS	
CRANKSET	RHAWK / RRAPTOR
AXLE	BOOST
SPIDER	DIRECT MOUNT
RINGS	DIRECT MOUNT Q-RINGS